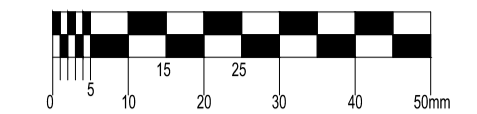
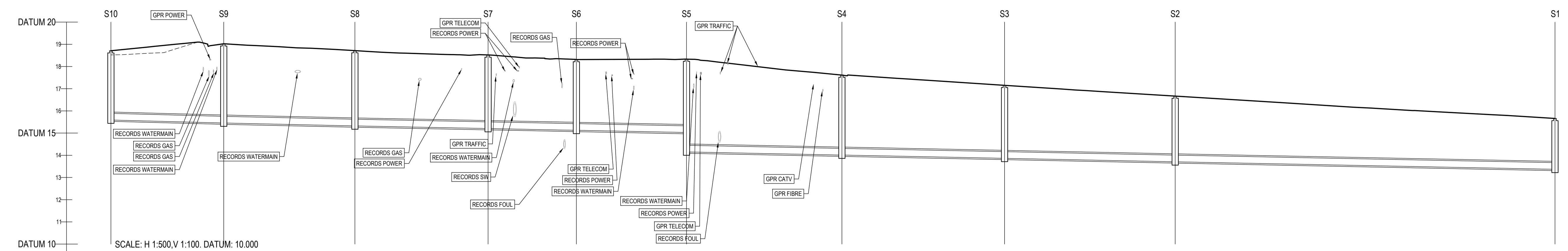


ON ORIGINAL



NOTES:

1. ALL DRAWINGS TO BE CHECKED BY CONTRACTOR ON SITE AND ENGINEER INFORMED OF DISCREPANCIES BEFORE WORK COMMENCES
2. ALL LEVELS ARE IN METRES AND ARE RELATED TO ORDNANCE DATUM
3. CONTRACTOR SHALL SATISFY HIMSELF AS TO THE ACCURACY OF PAVEMENT LEVELS ON SITE PRIOR TO COMMENCEMENT OF WORKS ON SITE
4. ALL WORKS TO BE CONSTRUCTED IN ACCORDANCE WITH THE NRA SPECIFICATION FOR ROAD WORKS UNLESS NOTED OTHERWISE
5. THIS DRAWING IS FOR PLANNING PURPOSES ONLY
6. MANHOLE COVER LEVELS ARE TO CONFORM WITH FINISHED ROAD AND PATH LEVELS
7. WHERE COVER TO PIPE IS LESS THAN 1200mm (ROADPATH VERGE) OR 900mm (OPEN SPACE) SURROUND PIPE IN MINIMUM 150mm CONCRETE



SCALE: H 1:500, V 1:100. DATUM: 10.000

COVER LEVEL	18.709		19.024		18.716		18.520		18.314		18.333		17.613		17.151		16.667		15.860										
INVERT LEVEL	15.389	15.806	1.015	15.454	15.454	1.016	15.324	15.324	1.017	15.205	15.205	1.018	15.126	15.126	1.019	15.027	14.150	1.020	14.010	14.010	1.021	13.863	13.863	1.022	13.707	13.707	1.023	13.398	13.398
DEPTH (m)	3.120			3.570			3.392			3.315			3.188			4.183			3.603			3.288			2.960			2.292	
DISTANCE (m)	6.23	25.41		29.56		30.00		19.89		24.81		35.01		36.63		38.45		85.56											
PIPE SLOPE	1.231	1.188		1.227		1.252		1.252		1.251		1.250		1.250		1.246		1.252											
PIPE SIZE	300mm	300mm		300mm		300mm		300mm		300mm		300mm		300mm		300mm		300mm											

KEY

- - - - - EXISTING GROUND PROFILE
- PROPOSED GROUND PROFILE

rev	date	description	RMC	EDA
		A - Approved		
		B - Approved with comments		
		C - Do not use		

suitability PLANNING



DUBLIN OFFICE: Ormond House, Upper Ormond Quay, Dublin 7, D07 W704
PHONE +353 1 450 4000
CORK OFFICE: Phoenix House, Monahan Road, Cork, T12 H1XV
PHONE +353 (0) 21 2024538
WATERFORD OFFICE: Suite 10 The Atrium, Maritime Gate, Canada Street, Waterford, X91 W028
PHONE +353 51 309 500

project ref.

SANDFORD ROAD, MILLTOWN

drawing title
SURFACE WATER LONGSECTIONS
SHEET 3

client
SANDFORD LIVING LIMITED

designed by	author	scale	sheet size
EDA	RMC	AS SHOWN	A1
drawing no.	revision		
190226-DBFL-SW-SP-DR-C-3003	P01		